

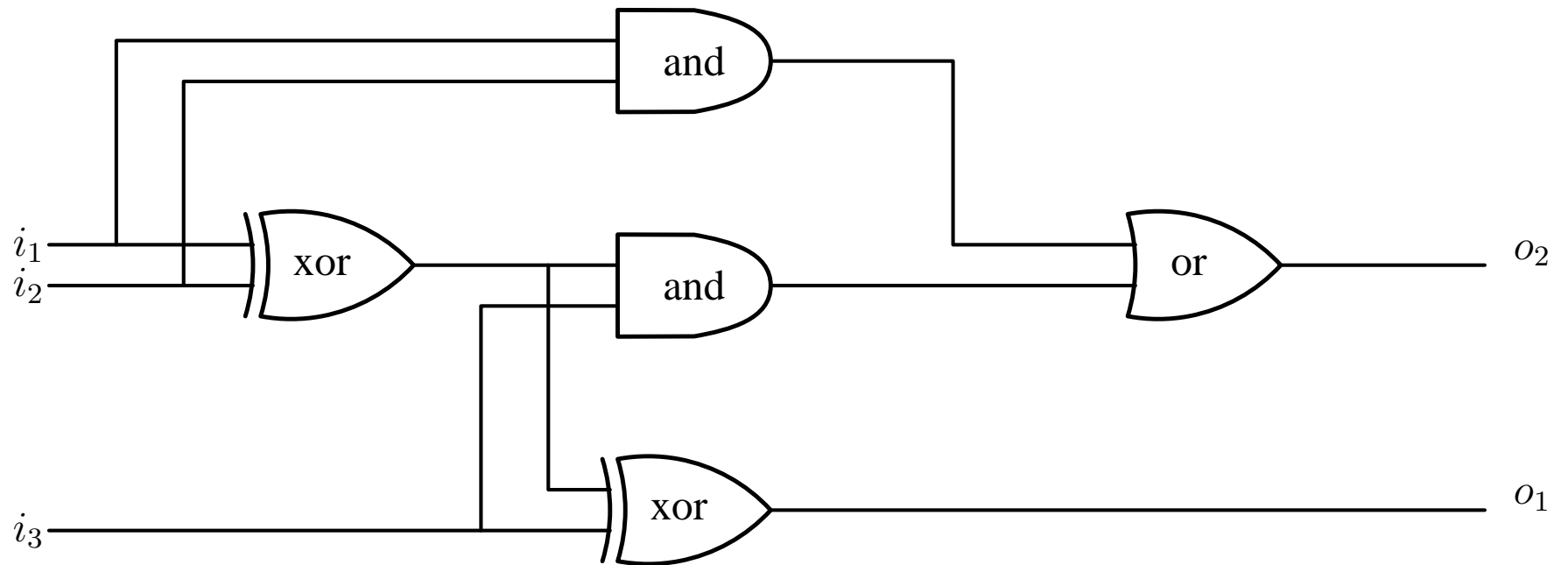
# Constraint Propagation Example

M.R.C. van Dongen

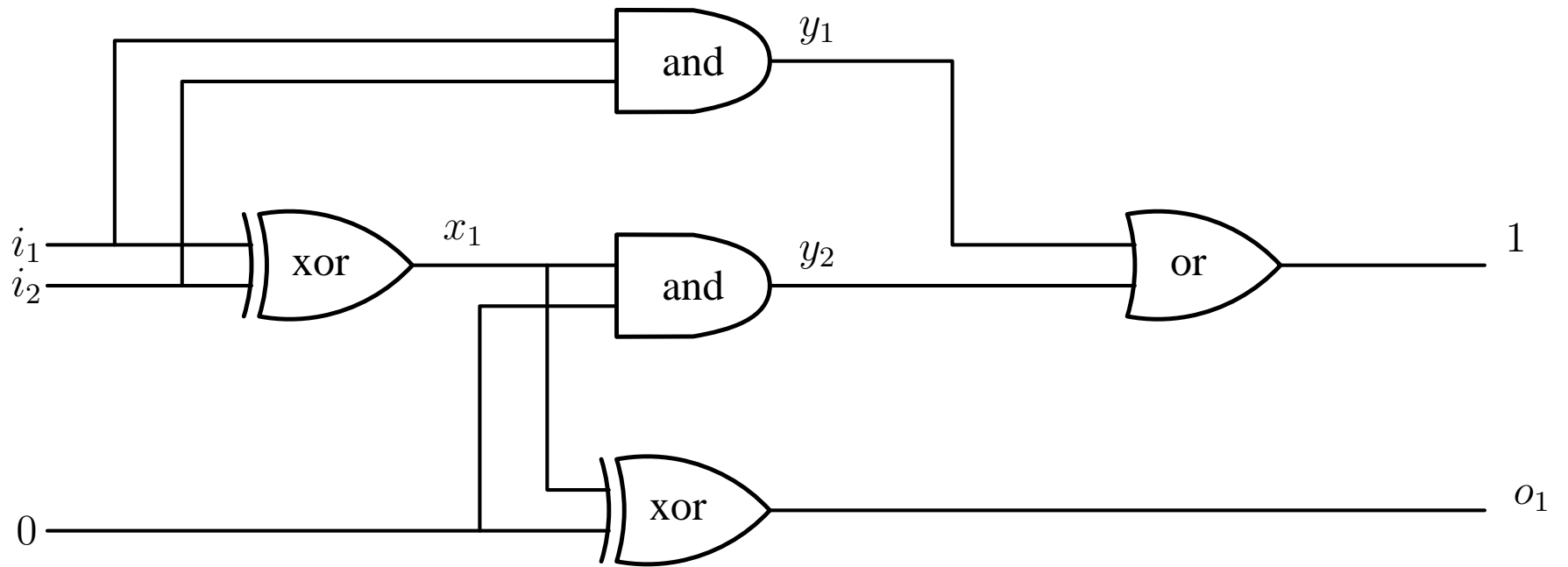
February 18, 2004

The example presented in this document is based on Figure 6.2 from K.R. Apt's Principles of Constraint Satisfaction.

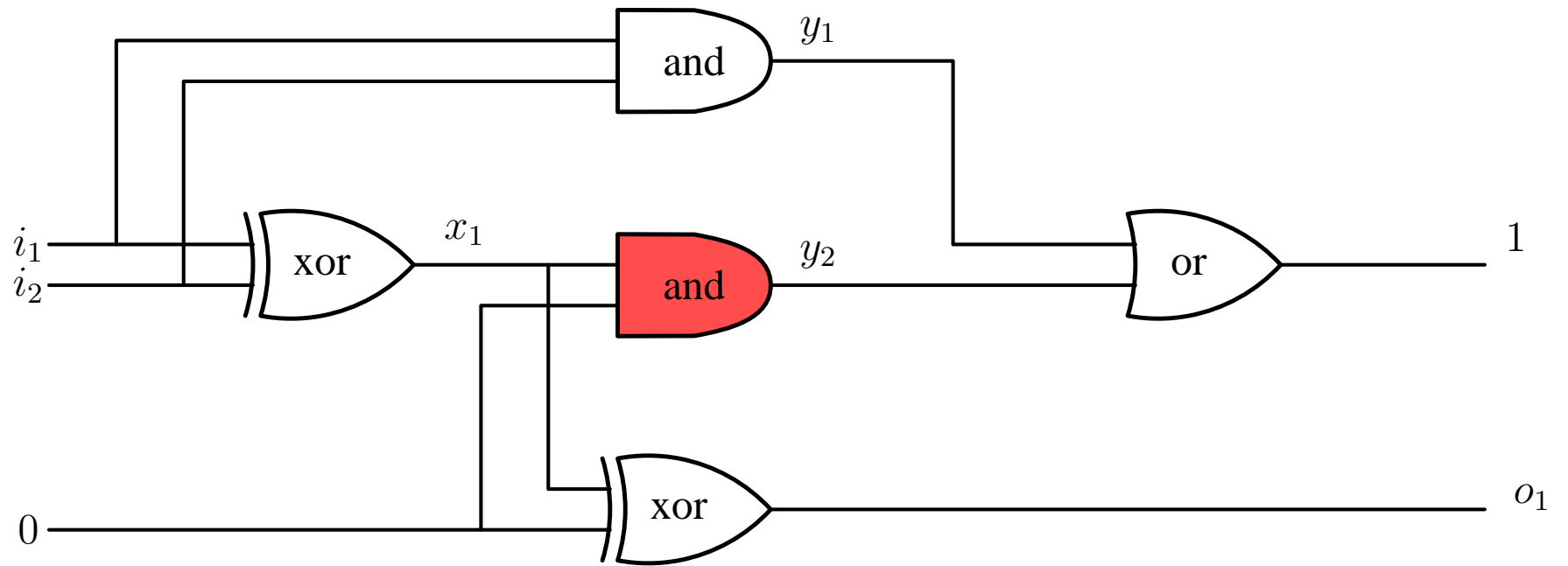
# Full Adder Circuit



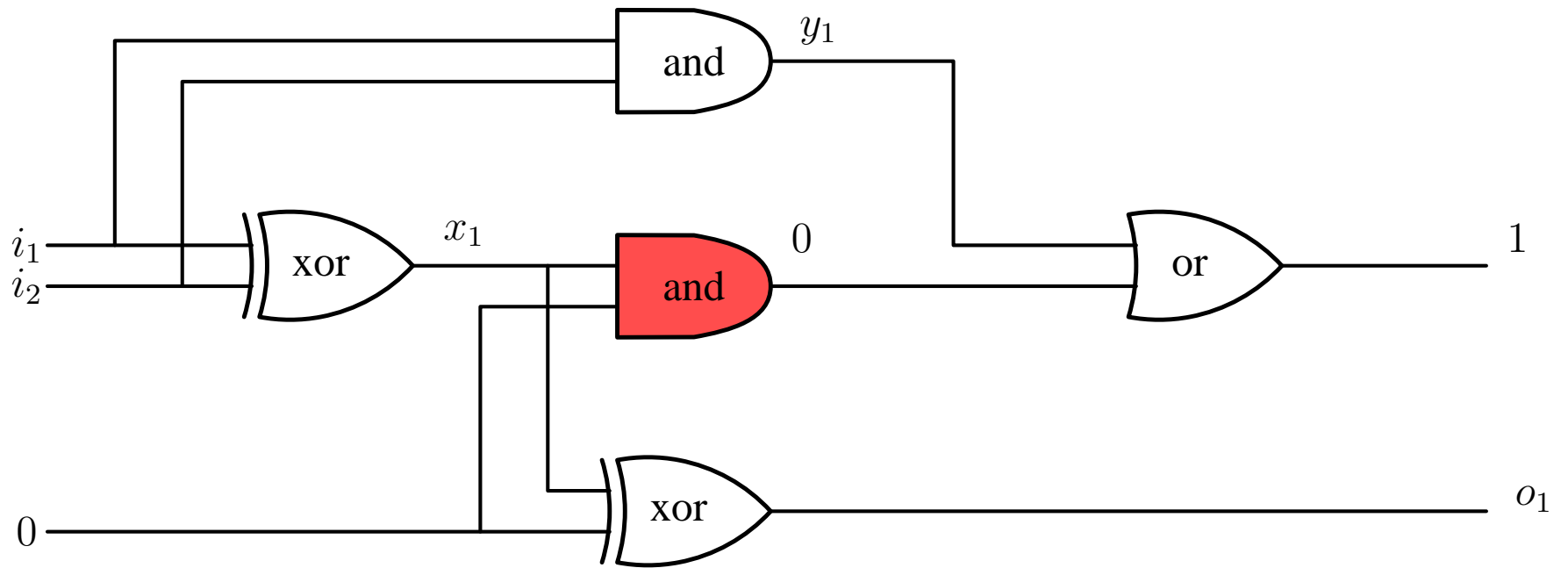
# Full Adder Circuit



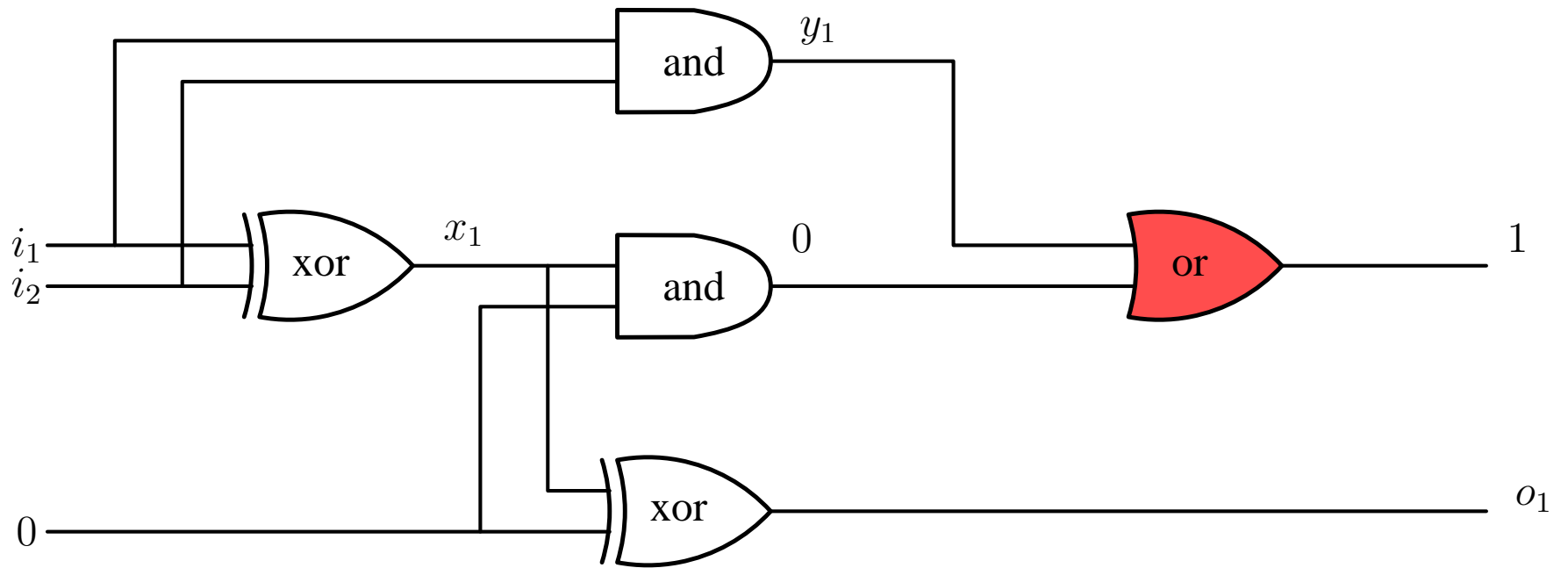
# Full Adder Circuit



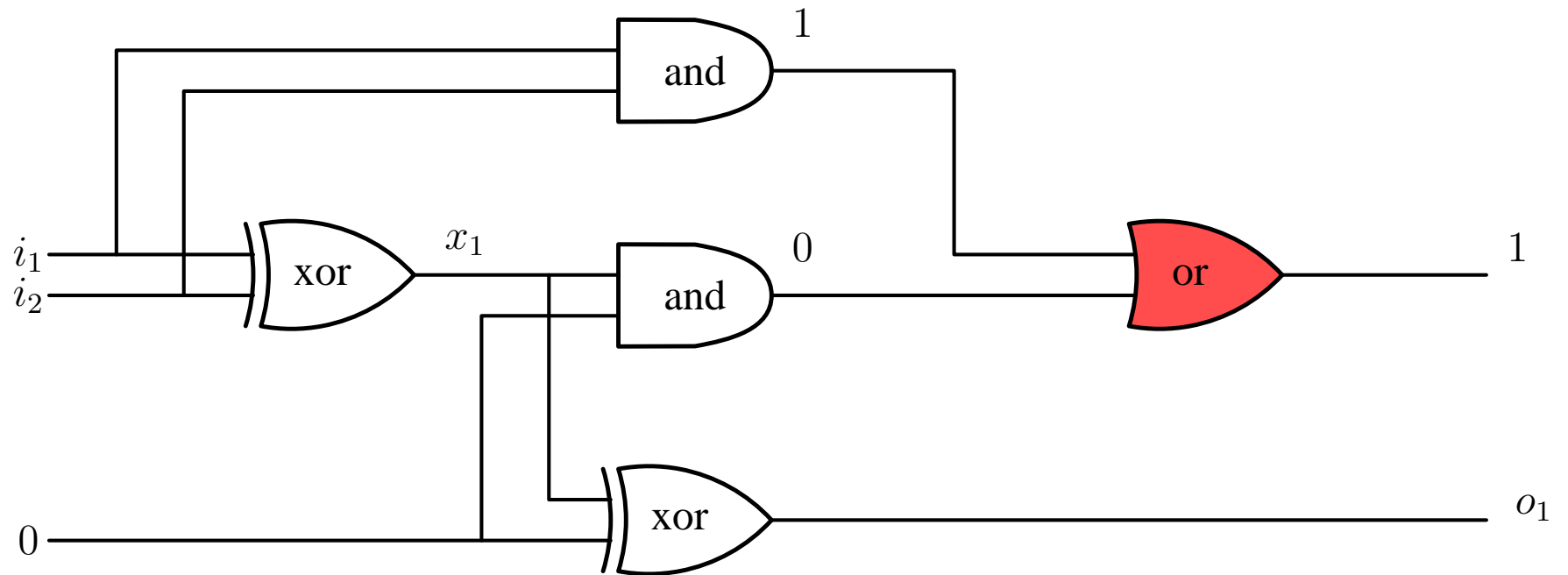
# Full Adder Circuit



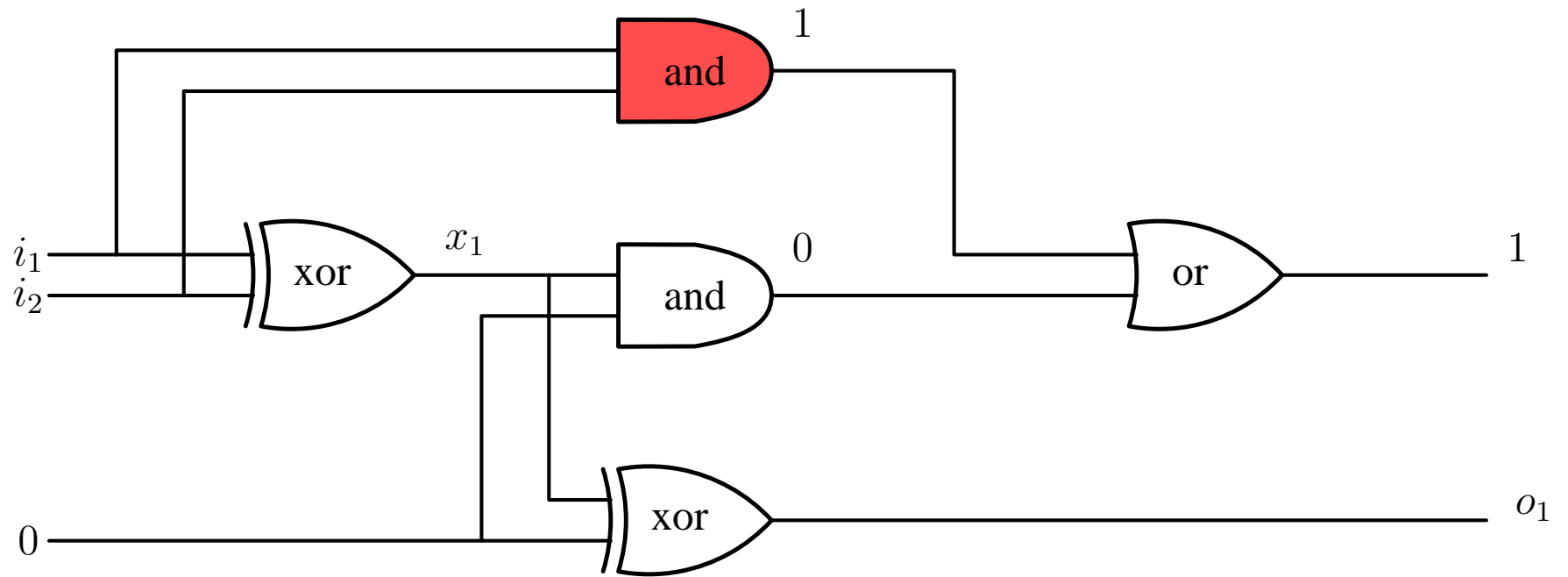
# Full Adder Circuit



# Full Adder Circuit

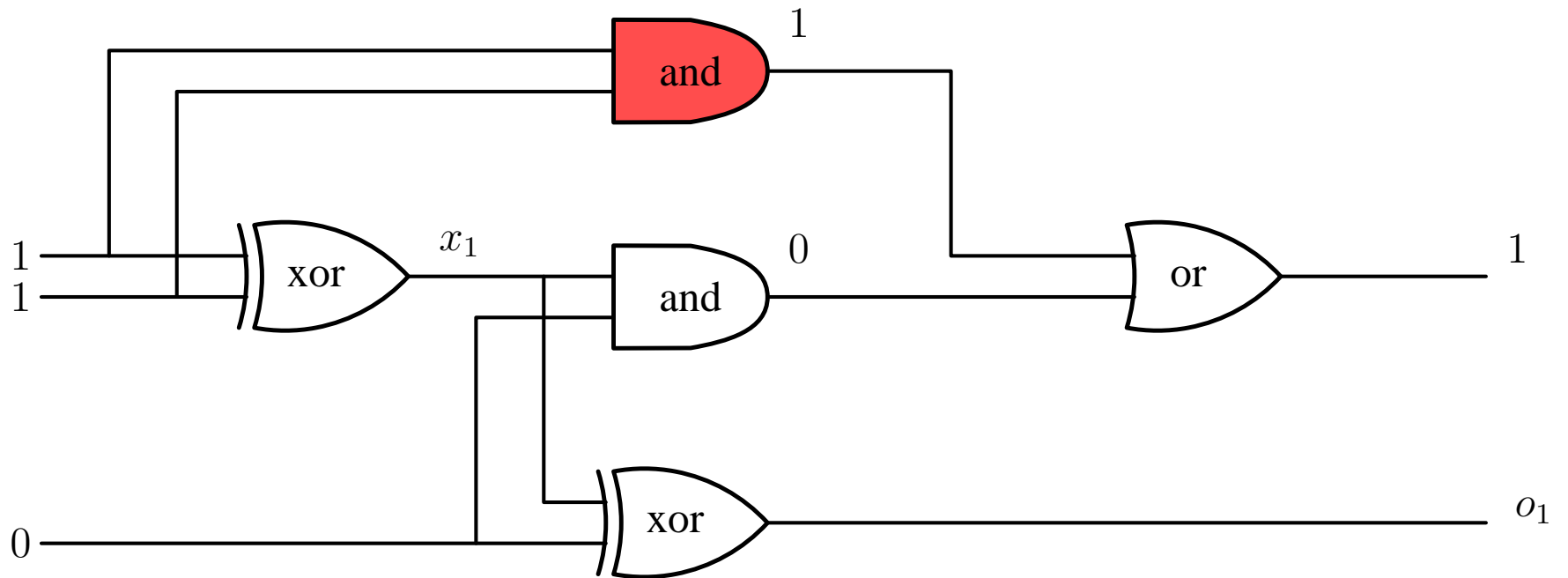


# Full Adder Circuit

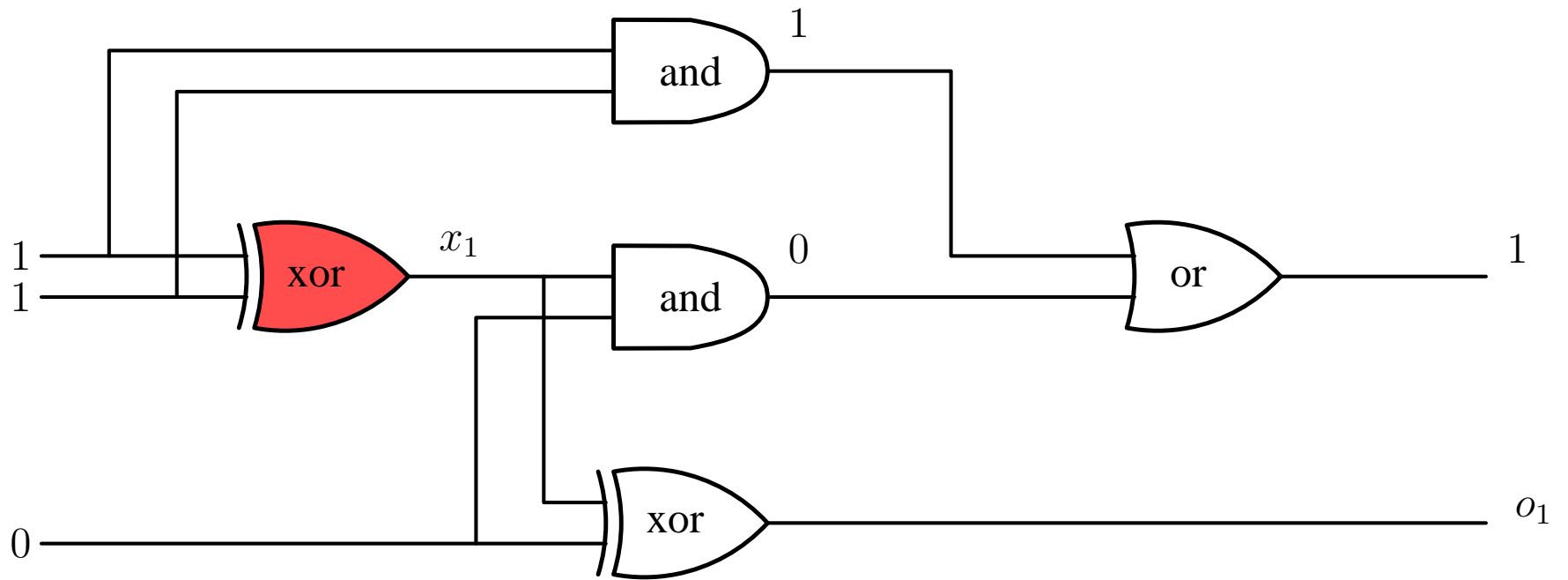




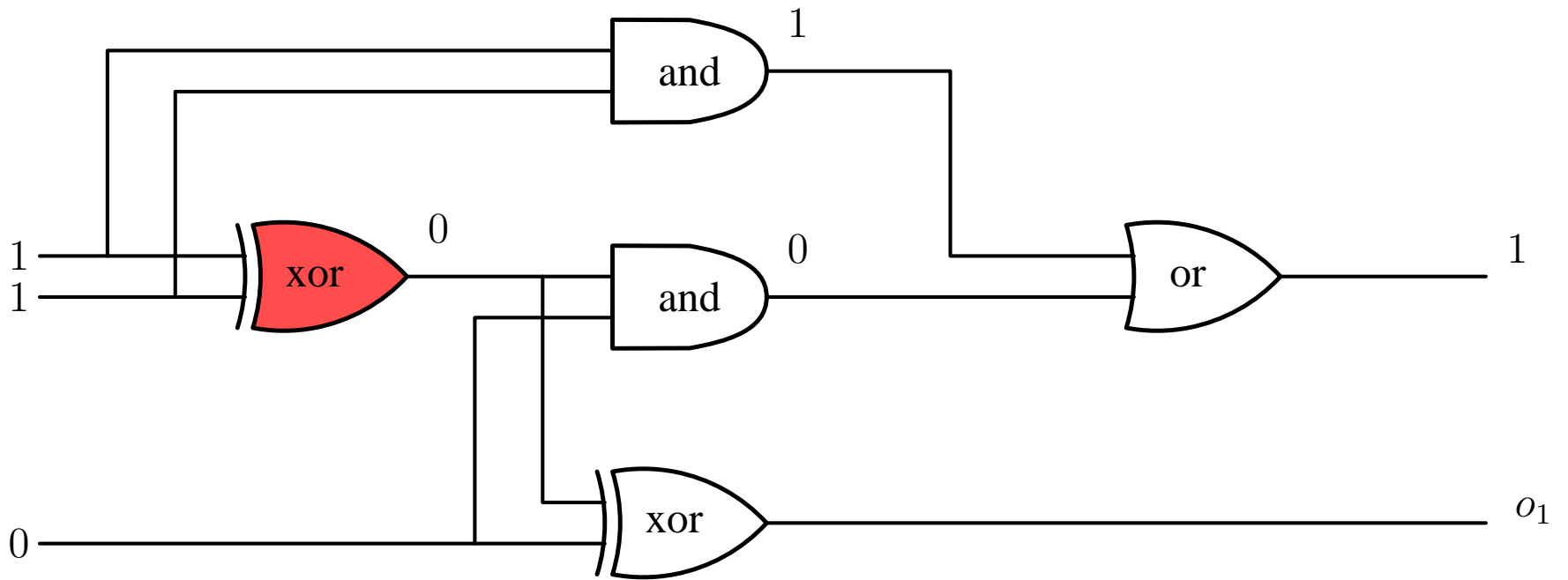
# Full Adder Circuit



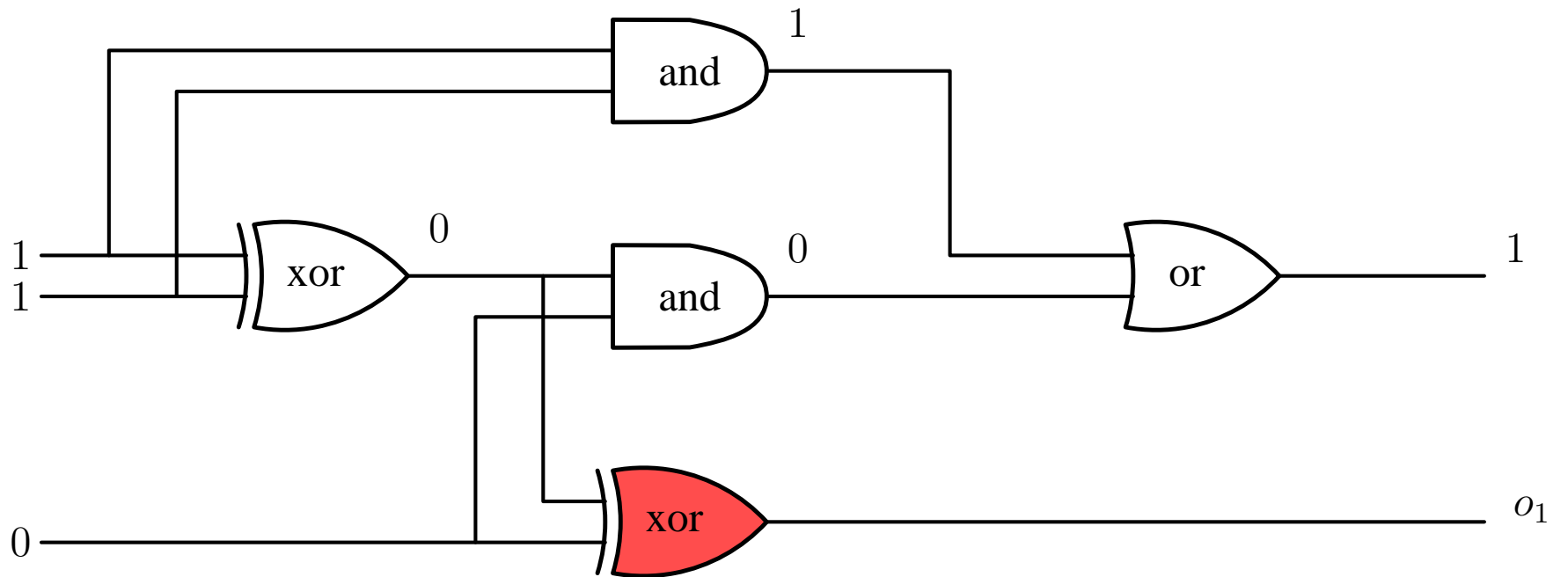
# Full Adder Circuit



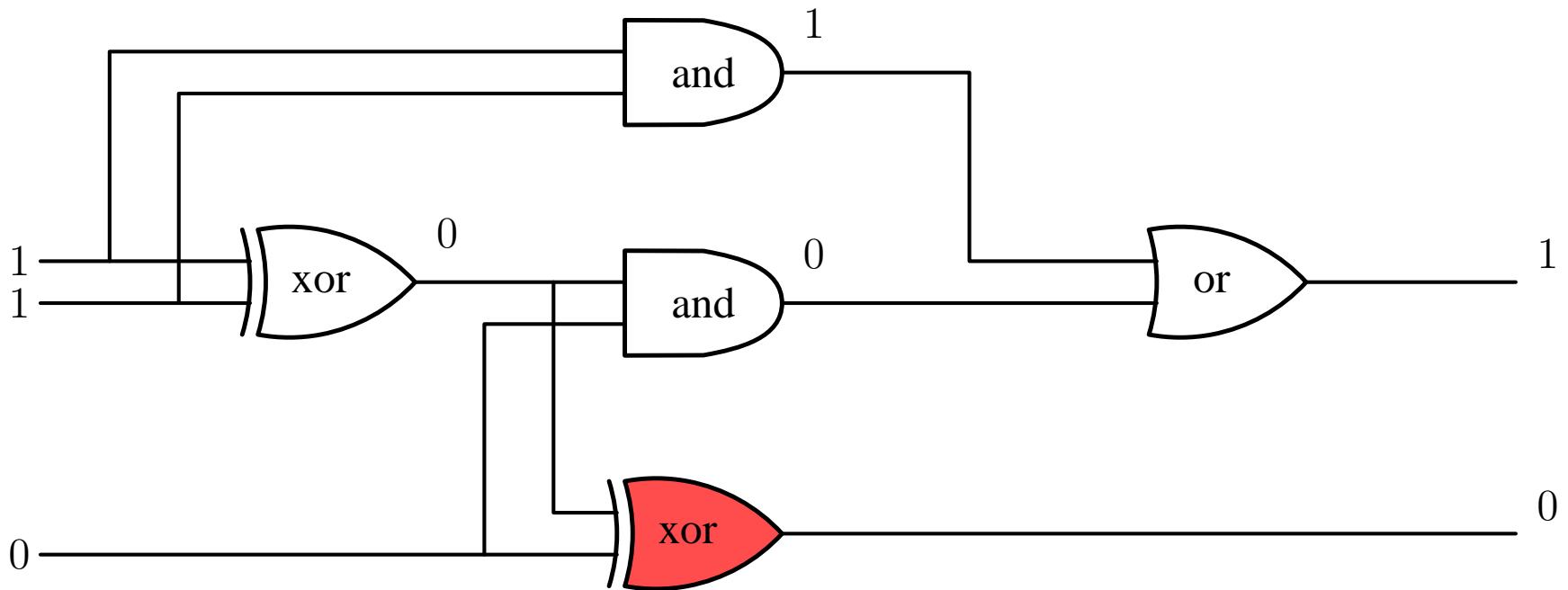
# Full Adder Circuit



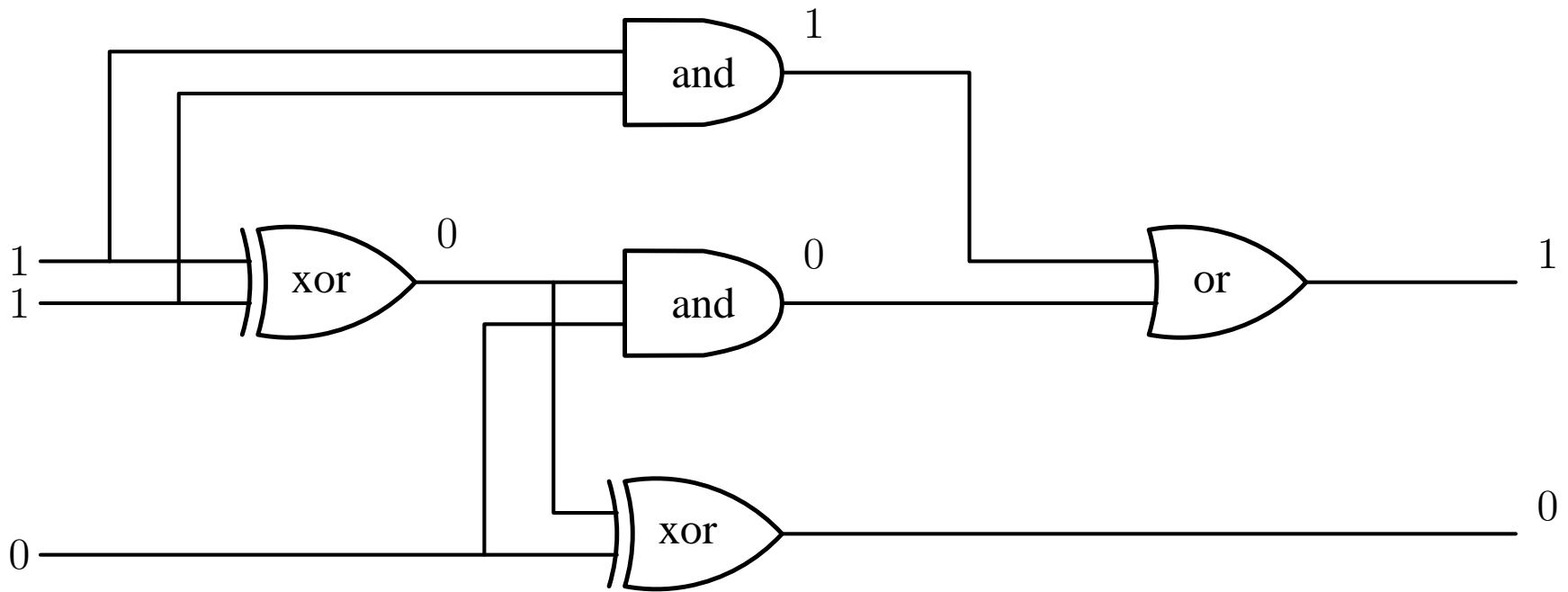
# Full Adder Circuit



# Full Adder Circuit



# Full Adder Circuit



End of example.